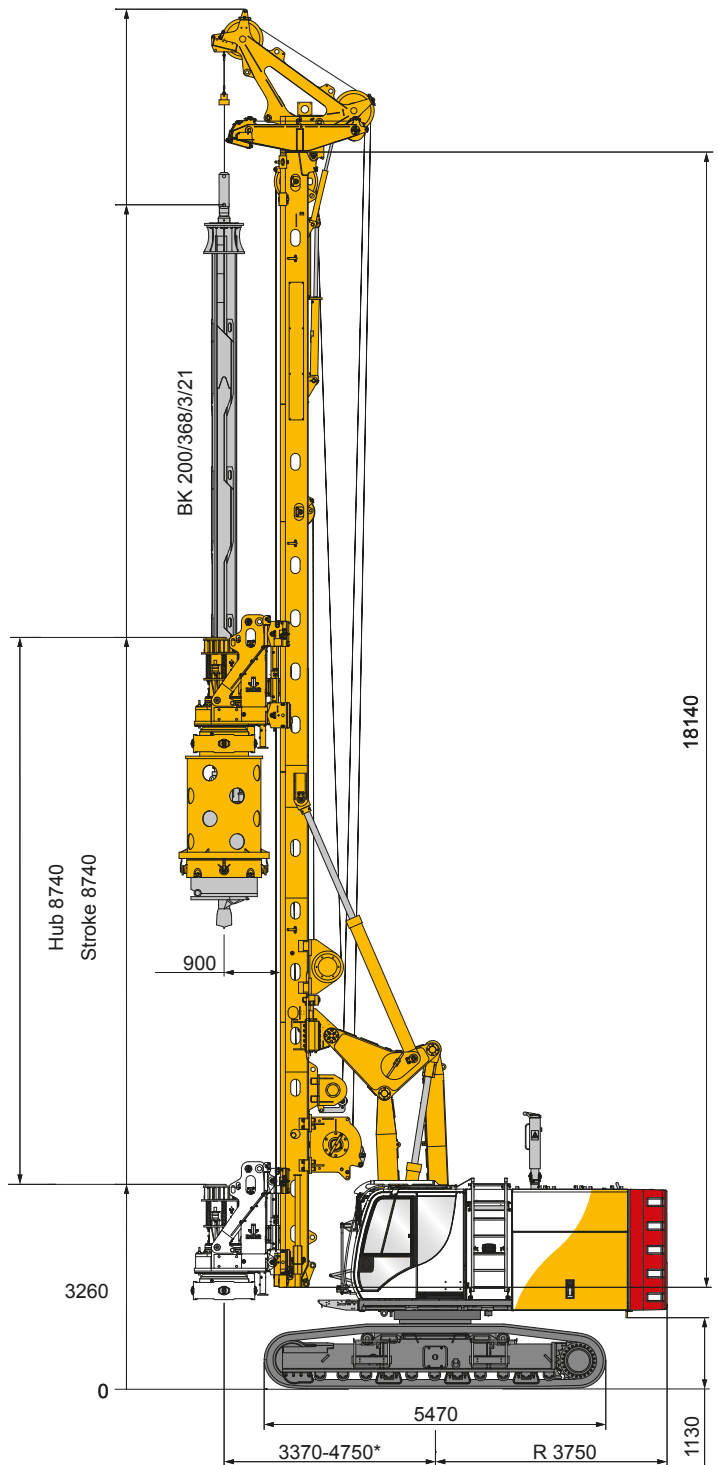




BG 23 H

Technical data BG 23 H - BT 65

Overall height	22.040 mm
Operating weight (approx.) (with Kelly BK200/368/3/21)	69.700 kg
Rotary drive	KDK 235 S
Torque (nominal) at 300 bar	235 kNm
Speed of rotation (max.)	64 U/min
Crowd winch	
Crowd pressure / pull (effective)	260 / 333 kN
Crowd pressure / pull measured at the casing drive adapter on the rotary drive	215 kN/277 kN
Max. stroke of sledge	15.580 mm
Rope diameter	22 mm
Speed (down/up)	10,5 m / min
Fast speed (down/up)	29,5 m / min
Main winch	
Winch classification	M6 / L3 / T5
Single line pull (1 st layer) effective / nominal	170 / 210 kN
Rope diameter	26 mm
Line speed max.	84 m / min
Auxiliary winch	
Winch classification	M6 / L3 / T5
Single line pull (1 st layer) effective / nominal	65 / 80 kN
Rope diameter	15 mm
Line speed max.	62 m / min
Mast inclination	
Backward / forward / lateral	15° / 5° / 5°

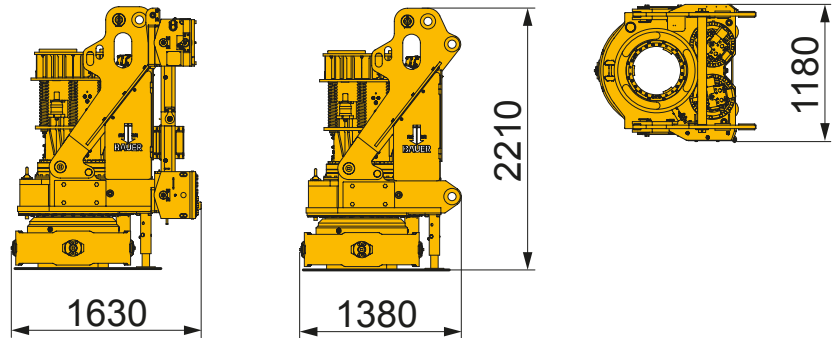




Rotary drive

KDK 235 S

Weight c/w sledge 5,6 to



Base carrier BT 60

CAT C7

Engine

Rated output ISO 3046-1	225 kW @ 1800 U/min
Engine conforms to Exhaust Emission Standard	EEC 97/68 EC Stage V EPA/Carb Tier 4 final
Diesel tank / AdBlue	540 l / 34,5 l
Ambient air temperature (at full power)	40 °C
Sound pressure level in cabin (EN 16228)	LPA 80 dB (A)
Sound power level (2000/14/EG u. EN 16228)	LWA 108 dB (A)

Hydraulic system

Hydraulic pressure	350 bar
Flow rates (main circuits + auxiliary circuit)	2 x 220 + 1x 280 + 1 x 135 l/min
Hydraulic oil tank capacity	450 l

Undercarriage (Retractable crawler frames)

UW 60

Crawler type	B 60
Track width (retracted/extended)	2300 / 3630
Overall width of crawlers (retracted/extended)	3000 / 4330
Width of triple grouser track shoes	700 mm
Overall length of crawlers	5470
Traction force effective / nominal	450 / 530 kN
Travel speed	1,5 km/h

