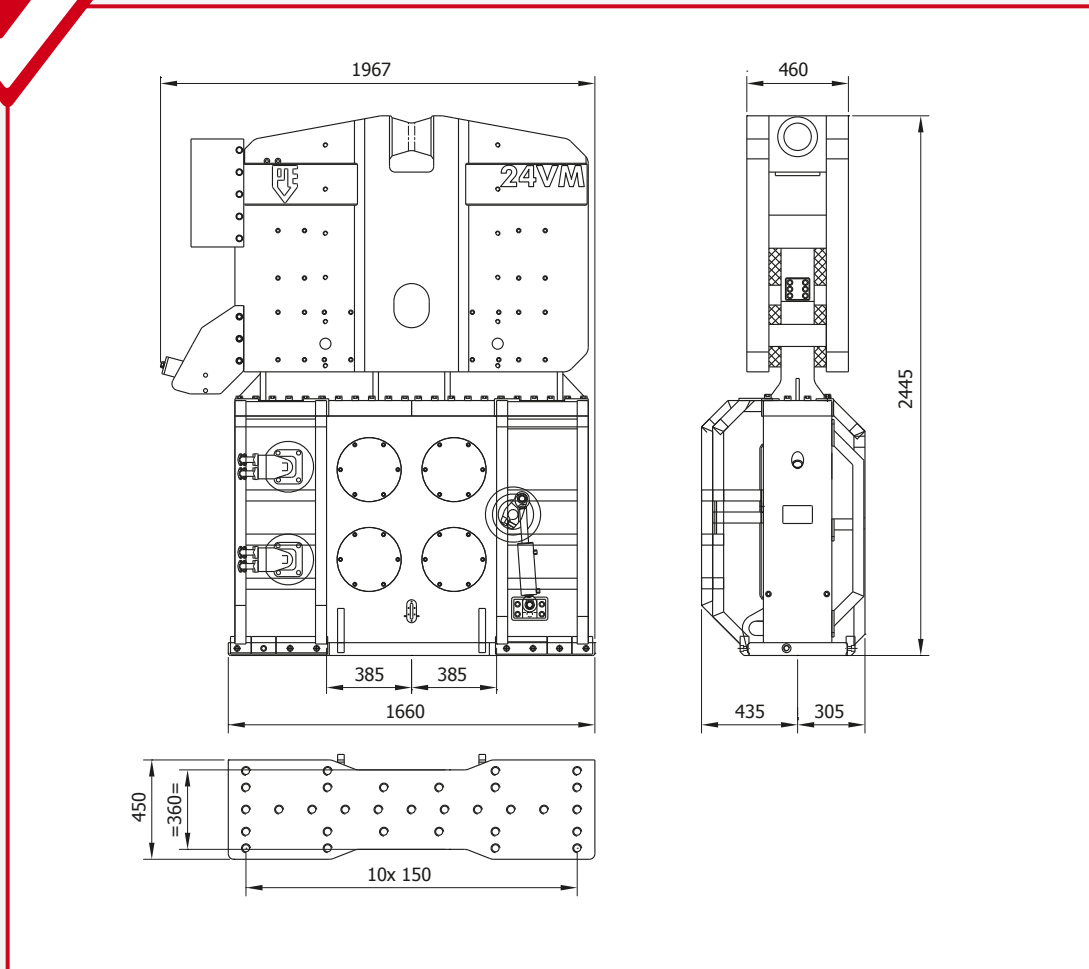




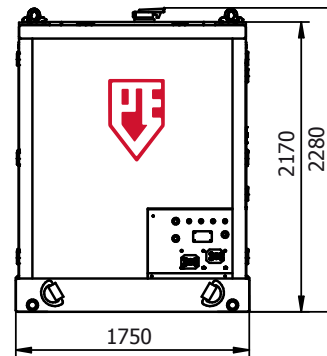
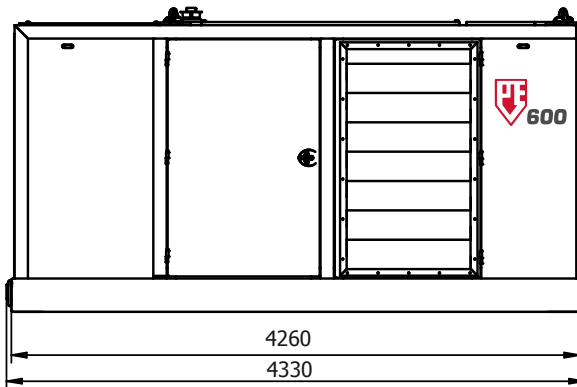
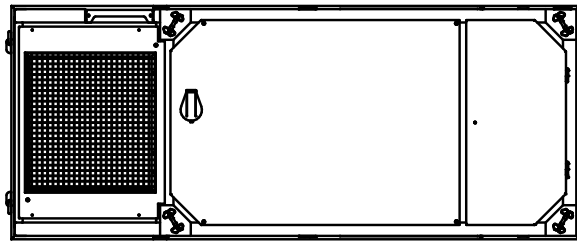
## PVE 24 VM Vibrohammer



Specifications		24VM	
Eccentric moment	0-24 kgm	<b>Clamps:</b>	
Max. centrifugal force	0-1400 kN	Sheet pile clamp	DWK 200T
Max. frequency	2300 rpm	Transport weight per piece	2000 kg
Max. amplitude excluding DWK 200T	14 mm	Double clamps	PPK 80T
Max. amplitude including DWK 200T	8.7 mm	Transport weight per piece	500 kg
Max. static line-pull	400 kN	<b>Powerpack:</b>	
Max. operating pressure	350 bar	Model	500
Max. oil flow	493 l/min	<b>Hose set:</b>	
Forced lubrication	yes	Length	30 m
Dynamic weight excluding DWK 200T	3500 kg	Transport weight (±)	kg
Dynamic weight including DWK 200T	5500 kg		
Total weight excluding DWK 200T & hoses	6020 kg		



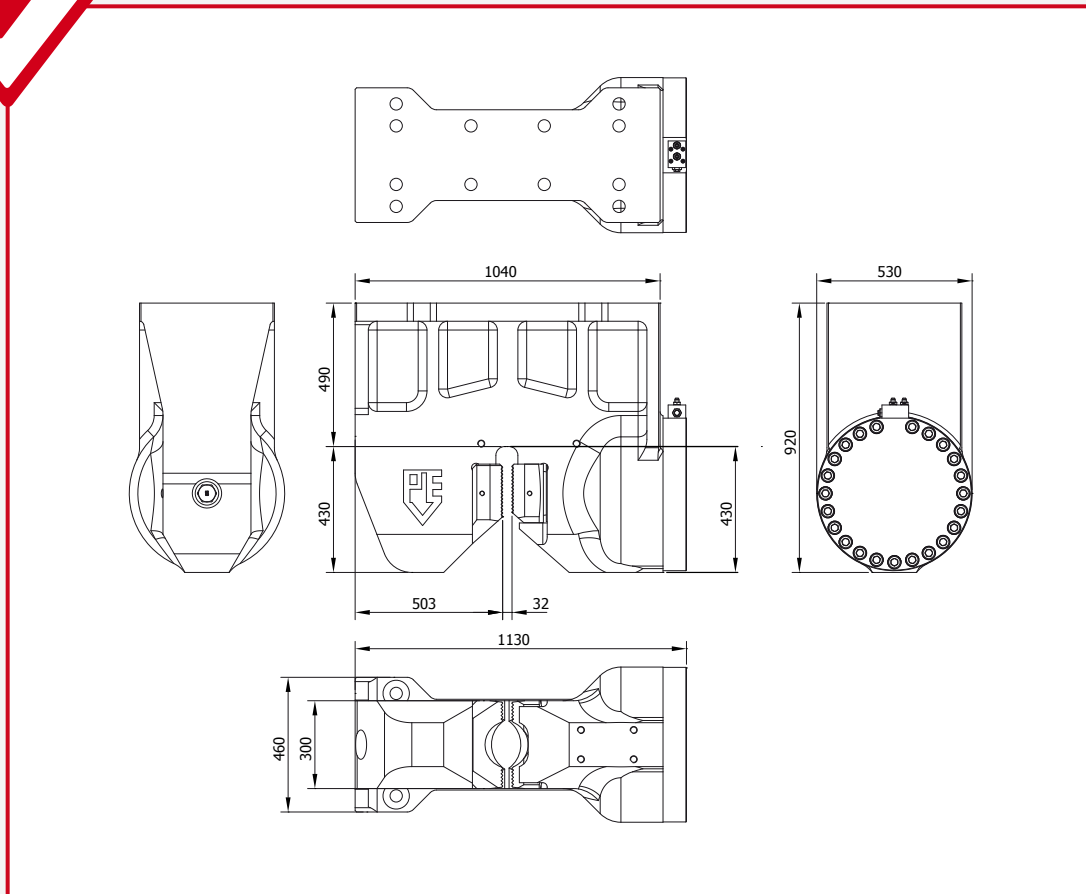
## PVE 600 Hydraulic Power Unit



Specifications	600
Diesel engine	Volvo TAD 1385 VE
Max. theoretical power	405/551 kW/HP
Max. frequency	1900 rpm
Max. operating pressure	350 bar
Hydraulic pump	Parker
Max. oil flow	617 L/min
Diesel oil	790 L
DEF (AdBlue) capacity	45 L
Hydraulic oil	1345 L
Weight without fuel	6900 kg
Weight filled up	7600 kg



## PVE 200 T Sheet Pile Clamp



Specifications	Technische Daten	Spécifications	Specificaties	Especificacions	
Sheet pile clamp	Spundwandzange	Pince palplanches	Damwandklem	Hoja abrazadera pila	
Clamping force	2000 kN	Klemmkraft	Force de serrage	Klemkracht	Fuerza de sujeción
Max. operating press.	300 bar	Max. Betriebsdruck	Pression de travail max.	Max. werkdruk	Presión máx. de trabajo
Max. clamp open press.	180 bar	Max. Druck Zange Offen	Pression pince ouvert max.	Max. klem open druk	Presión abrazadera aperto máx.
Weight	2000 kg	Gewicht	Poids	Gewicht	Peso